

15:36:09 15:36:09 15:36:09  
03/17/10 03/17/10 03/17/10  
15:36:09 15:36:09 15:36:09  
03/02/20 03/02/20 03/02/20  
20:36:09 20:36:09 20:36:09

## Datasheet



# Keltron LC Series Compact Impact Printer



Compact size

Feature rich

Low cost

The Keltron LC compact printer is a panel mountable, 24/32 or 40/30 column, software-switchable impact printer. It provides a hard copy record of critical processes and is useful in industrial and commercial applications where small size and low costs are important considerations.

### LC Series benefits

LC Series printers are unusually compact - only 4.8 inches deep - yet they offer a comprehensive list of standard features. Paper is replaced through front panel access without separation of either power or signal connections. Since no connections are made or broken, there is reduced wear on the connectors and paper loading is quick and easy. The LC Series is available in a variety of power and communications interface configurations.

### LC Series features

A full 256 character ASCII set, self test on power up and choice of character font are just a few of the many standard features in this unusually compact and highly reliable printer including:

- ▶ Time and date stamp
- ▶ Built-in interval timer - 15 preset intervals
- ▶ Battery back up
- ▶ Compact size - only 4.88" deep
- ▶ Software-selectable column widths 24/32 or 40/30
- ▶ Serial RS232C interfaces
- ▶ Front access for easy paper replacement while printer is on
- ▶ Multiple power input options
- ▶ Standard 2K character buffer
- ▶ Up to 2.5 lines per second print speed
- ▶ Membrane switch front panels - no protruding hardware
- ▶ Line counter

Keltron develops and manufactures universally-compatible, UL listed life safety event management systems for the municipal and multi-building facility markets. Solutions include Ethernet (IP), active network radio, cellular, digital communicator/receivers, and direct wire systems. This document is not intended for installation or maintenance purposes. All specifications are subject to changes without notice. For more information visit [www.keltroncorp.com](http://www.keltroncorp.com) or contact us at 781-894-8710. ISO 9001-certified and made in the USA.

© 2020 Keltron Corporation. All rights reserved.

Keltron LC Series

**SPECIFICATIONS**

**DATA/CONTROL INTERFACE**

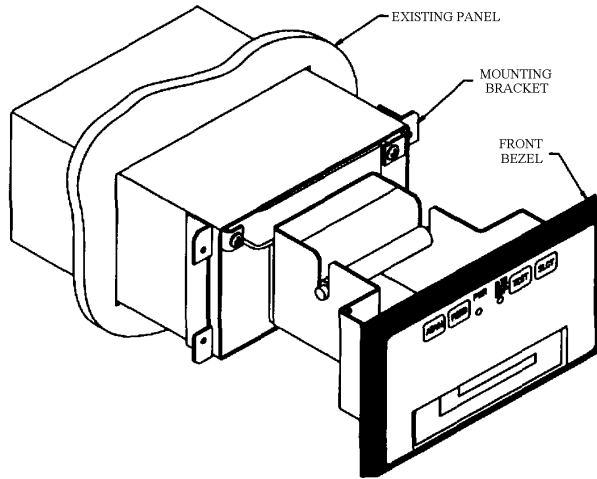
Serial RS232C  
 Connector DB25S  
 Baud rates 150 to 9600, dipswitch selectable  
 Stop bits, parity dipswitch selectable  
 Handshaking XON/XOFF; RTS/CTS

**PRINT CHARACTERISTICS**

Printhead Dot matrix impact  
 Life 1 million character lines  
 Print rate 2.5 lines per second, 24/32 column  
 1.8 lines per second, 40/30 column  
 Character size 1.7mm x 2.4mm, 24 column  
 1.2mm x 2.4mm, 40 column  
 Character Spacing 1.98mm, 24 column  
 1.19mm, 40 column  
 Dots per line 144  
 Ribbon life 250,000 characters  
 Fonts Normal, wide, tall  
 Paper out sensor Optical, reflective

**PAPER**

Width 2.25 inches  
 Length 80 feet nominal  
 Diameter 2.0" inches  
 Thickness 0.0078 in. / .2mm maximum  
 Type Standard adding machine



**DC POWER CONSUMPTION**

+5 VDC 1A peak (printing)  
 +7.5 to 13.6 VDC Power drain @ 10 VDC 1.2W (idle) and 1.75W (printing)  
 +9 to 35 VDC 10 watts peak (printing)

Consult factory for additional power information

**FRONT PANEL INDICATORS**

Power on indicator-green LED  
 Paper out indicator-yellow LED

**ENVIRONMENT**

Temperature 0° to + 50° C, ambient  
 Relative Humidity 20% to 85%, non-condensing

**SOFTWARE CLOCK/CALENDAR**

(accuracy = ± 4 minutes/yr)

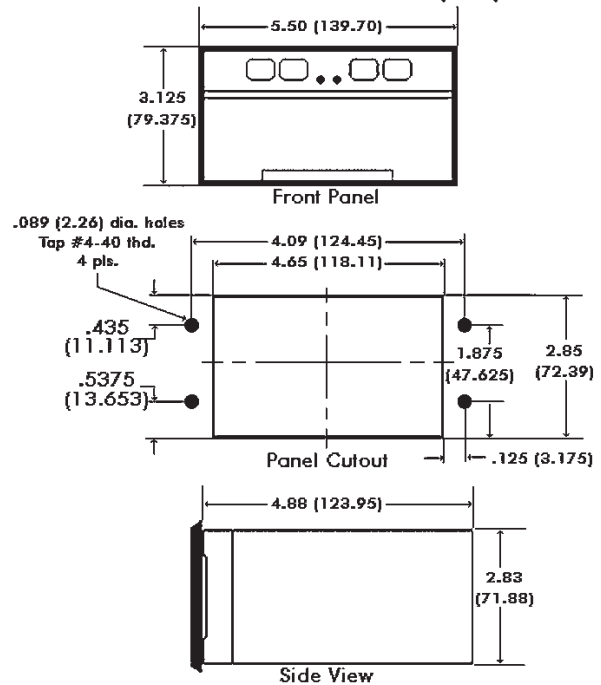
**DIMENSIONS**

Panel cut-out 2.85" X 4.65"  
 Case 2.83" X 4.5" X 4.88"  
 Front panel 3.125" X 5.50"  
 Weight 1.6 lbs.

**OPTIONS**

Shallow depth

**Dimensions - In inches (mm)**



**ORDERING INFORMATION**

MODEL	#COL.	POWER OPT.	INTERFACE*
LC240/5B	24 / 32	+5 VDC	RS232C
LC241/5B	24 / 32	115 VAC	RS232C
LC242/5B	24 / 32	220 VAC	RS232C
LC243/5B	24 / 32	7.5 to 13.6 VDC	RS232C
LC244/5B	24 / 32	9 to 35 VDC	RS232C

MODEL	#COL.	POWER OPT.	INTERFACE*
LC400/5B	40 / 30	+5 VDC	RS232C
LC401/5B	40 / 30	115 VAC	RS232C
LC402/5B	40 / 30	220 VAC	RS232C
LC403/5B	40 / 30	7.5 to 13.6 VDC	RS232C
LC404/5B	40 / 30	9 to 35 VDC	RS232C

